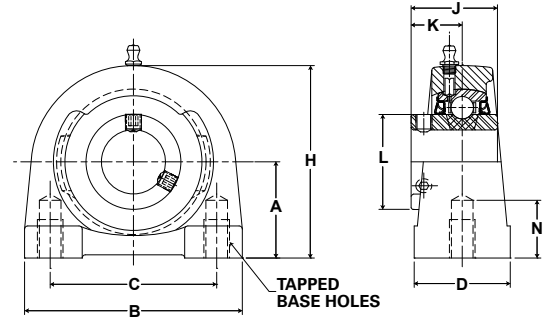




- Duty:** Standard
- Housing:** Fluoropolymer Coated Cast Iron
- Self-Alignment:** +/- 2 Degrees
- Lock:** Setscrew
- Seal:** HPS
- Temperature:** -20° to 220°F
- Grease:** Sealmaster GoldPlex-FG



CRTBF-PN Series Tapped Base Pillow Block Setscrew Locking

BORE DIAMETER		PART No.*	BRG. No.	BASIC DYNAMIC RATING lb/N	DIMENSIONS inch/mm							N MIN. TAP DEPTH	BOLT UNC-2B THREAD	UNIT Wt. lb/kg	
					A	B	C	D	H	J	K				L
inch	mm														
3/4	-	CRTBF-PN12	PN-12	2611 11614	1 5/16	3 1/8	2	1 1/2	2 9/16	1 7/32	23/32	1 3/16	1/2	3/8-16	1.8 .82
0.787	20	CRTBF-PN204	PN-204		33.3	79.4	50.8	38.1	65.1	31.0	18.3	30.2	12.7		
1	-	CRTBF-PN16	PN-16	2801 12459	1 7/16	3	2	1 1/2	2 13/16	1 3/8	13/16	1 3/8	1/2	3/8-16	2.0 .91
-	25	CRTBF-PN205	PN-205		36.5	76.2	50.8	38.1	71.4	34.9	20.6	34.9	12.7		
1 3/16	-	CRTBF-PN19	PN-19	4381 19488	1 11/16	4	3	1 1/2	3 13/32	1 1/2	7/8	1 19/32	5/8	7/16-14	3.5 1.59
1 1/4	-	CRTBF-PN20R	PN-20R		42.9	101.6	76.2	38.1	86.5	38.1	22.2	40.5	15.9		
-	30	CRTBF-PN206	PN-206												
1 1/4	-	CRTBF-PN20	PN-20	5782 25720	1 7/8	4 1/4	3 1/4	1 7/8	3 3/4	1 11/16	1	1 55/64	3/4	1/2-13	4.5 2.04
1 3/8	-	CRTBF-PN22	PN-22		47.6	108.0	82.6	47.6	95.3	42.9	25.4	47.2	19.1		
1 7/16	-	CRTBF-PN23	PN-23												
-	35	CRTBF-PN207	PN-207												
1 1/2	-	CRTBF-PN24	PN-24	7340 32650	1 15/16	4 5/8	3 1/2	1 7/8	3 15/16	1 15/16	1 3/16	2 1/16	3/4	1/2-13	6.0 2.72
-	40	CRTBF-PN208	PN-208		49.2	117.5	88.9	47.6	100.0	49.2	30.2	52.4	19.1		
1 11/16	-	CRTBF-PN27	PN-27	7901 35145	2 1/8	5	3 3/4	2	4 1/4	1 15/16	1 3/16	2 19/64	3/4	1/2-13	6.5 2.95
1 3/4	-	CRTBF-PN28	PN-28		54.0	127.0	95.3	50.8	108.0	49.2	30.2	58.7	19.1		
-	45	CRTBF-PN209	PN-209												
1 15/16	-	CRTBF-PN31	PN-31	9752 43379	2 1/4	5 1/2	4	2	4 5/8	2 1/32	1 9/32	2 15/32	7/8	5/8-11	8.0 3.63
2	-	CRTBF-PN32R	PN-32R		57.2	139.7	101.6	50.8	117.5	51.6	32.5	62.7	22.2		
-	50	CRTBF-PN210	PN-210												

*Housing is Fluoropolymer coated cast iron and housing design does not allow for snap on end cap.
For additional sizes and Skwezloc concentric locking collar availability contact customer service.

Metric dimensions for reference only.
Not all parts are available from stock. Please contact customer service for availability (800) 626-2120.
For more information on bearing capabilities outside of our standard offering, please contact Application Engineering (800) 626-2093.